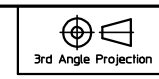
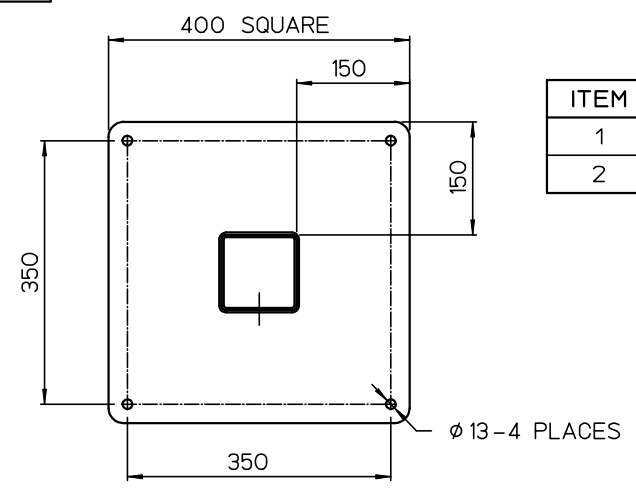


DO NOT SCALE

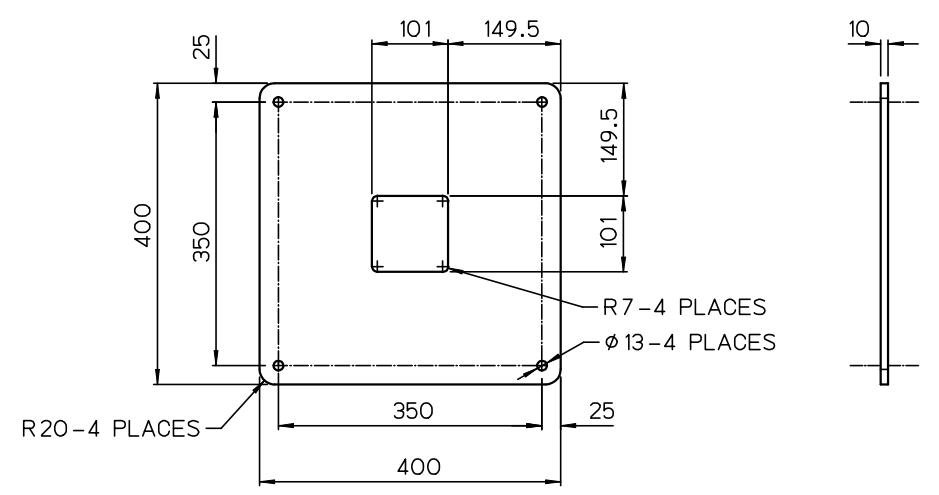


A
B
C
D
E
F
G
H
J
K
L
M

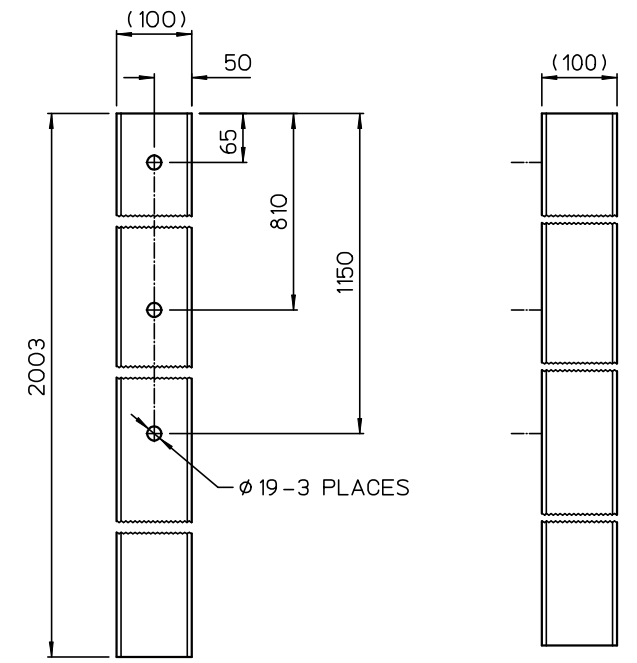
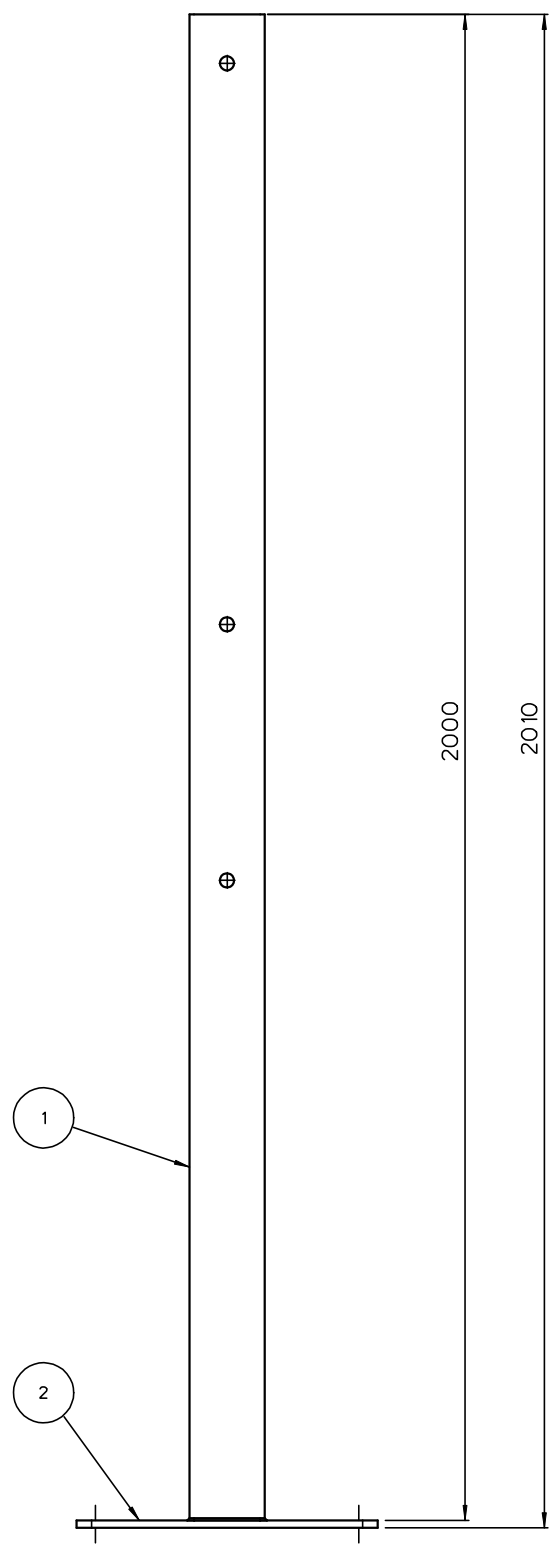


ITEM	DESCRIPTION	MATERIAL	SPECIFICATION	QTY
1	BASEPLATE	MILD STEEL PLATE	BS EN 10025-2 S235JR	1
2	POST	MILD STEEL 100x100x3 SHS	BS EN 10219-1 S235JRH	1

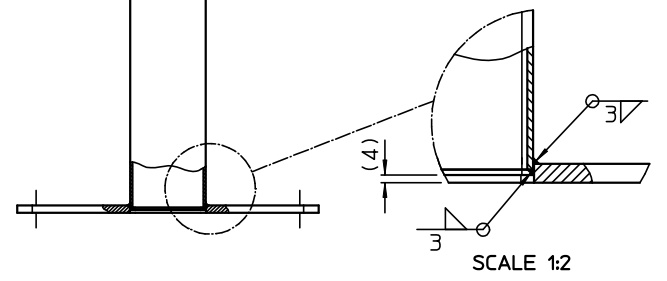
FINISH : GALVANISE TO BS EN ISO 1461



ITEM 2 - BASEPLATE



ITEM 1 - POST



SCALE 1:2

Revision	Description	By	Date
1	INTRODUCTION	JDB	01/03/2018
2	DRG No WAS STA-0010000 NOW STA0003000	JDB	22/11/2018

Unit 6, Cheltenham Trade Park,
Arle Road, Cheltenham GL51 8LZ,
Telephone: 01242 570995
Facsimile: 01242 226131
E-mail: sales@teleacoustics.co.uk

Material	SEE TABLE
Specification	SEE TABLE
Finish	SEE NOTE
Weight	33kg
Title	MOUNTING POST FABRICATION T2000 & T5000

Copyright 2018

www.teleacoustics.co.uk

Drawn	JDB	Checked	.
Date	01/03/2018	Scale	1:5
Drawing No.	STA0003000	Rev.	2